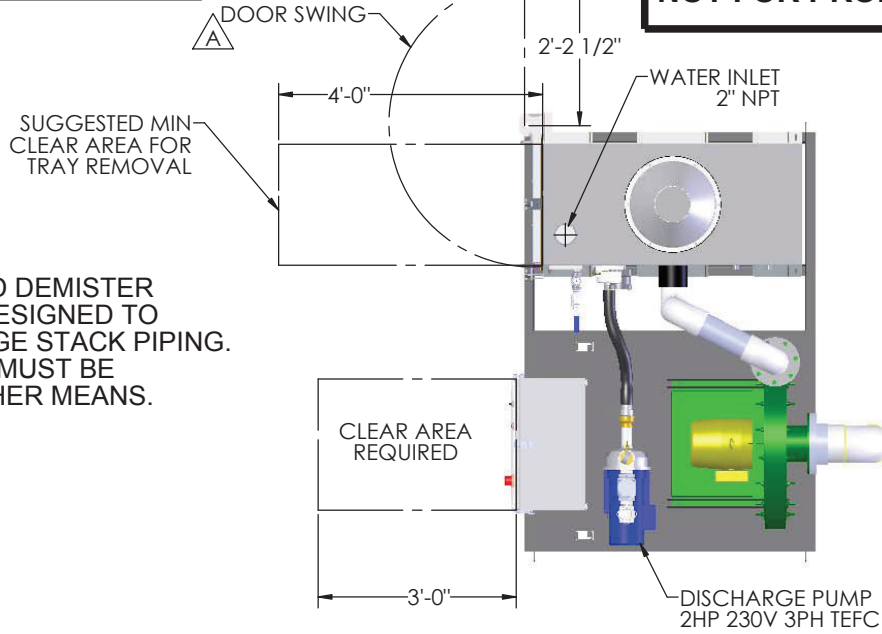


THE INFORMATION CONTAINED IN THIS DRAWING IS THE SOLE PROPERTY OF Q.E.D. ENVIRONMENTAL. ANY REPRODUCTION IN PART OR WHOLE WITHOUT THE WRITTEN PERMISSION OF Q.E.D. ENVIRONMENTAL IS PROHIBITED.

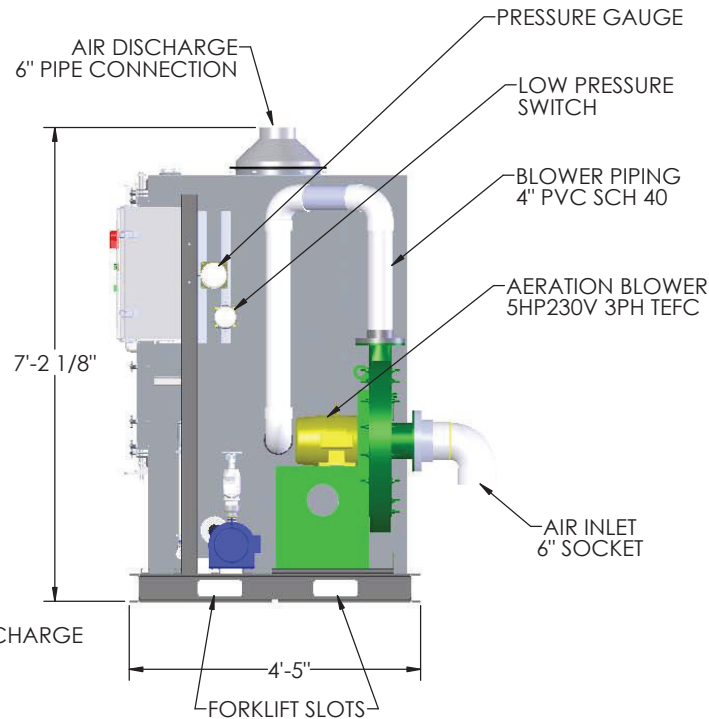
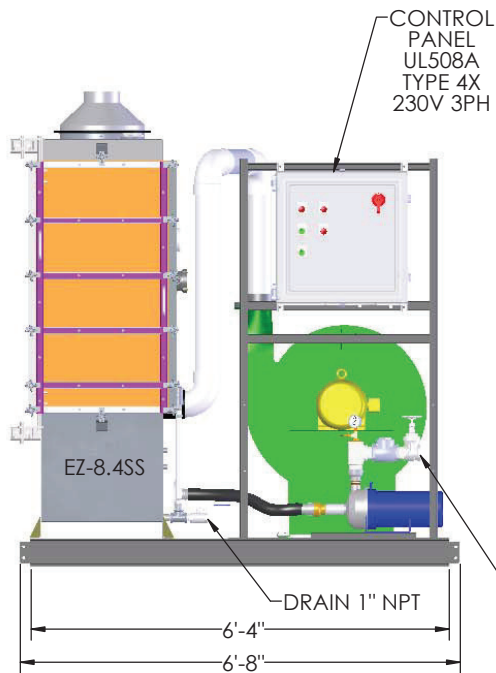
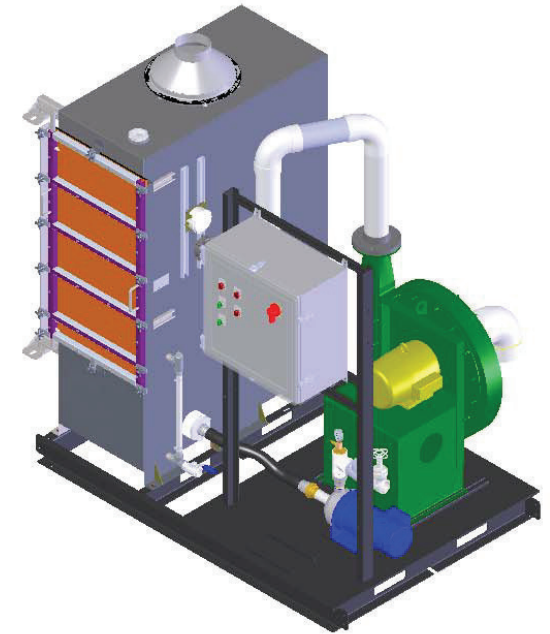
NOT FOR PRODUCTION

REVISIONS					
REV.	DESCRIPTION	ECO #	DRAWN BY	CHECKED BY	DATE
-	RELEASED FOR APPROVAL		-	-	-
A	ADDED DOOR SWING NOTE		BS	-	2/12/2018




NOTE:

AIR DISCHARGE AND DEMISTER ASSEMBLY IS NOT DESIGNED TO SUPPORT DISCHARGE STACK PIPING. DISCHARGE STACK MUST BE SUPPORTED BY OTHER MEANS.



NOT FOR CONSTRUCTION

UNLESS OTHERWISE SPECIFIED, DIMENSIONS ARE IN INCHES AND INCLUDE PLATING REMOVE ALL BURRS	DRAWN BY BS	DATE 1-26-18	 2355 BISHOP CIRCLE W, DEXTER, MI. 48130
	CHECKED BY -	DATE -	
TOLERANCES XX +/- .01 FRACT +/- 1/64 XXX +/- .005 ANGLES +/- 1/2 OTHER TOLERANCES AS SPECIFIED	APPROVED BY -	DATE -	REV. A
	NEXT ASSY -	MATERIAL -	
USED ON -	FINISH -	SCALE 1:16	SHEET 1 OF 1