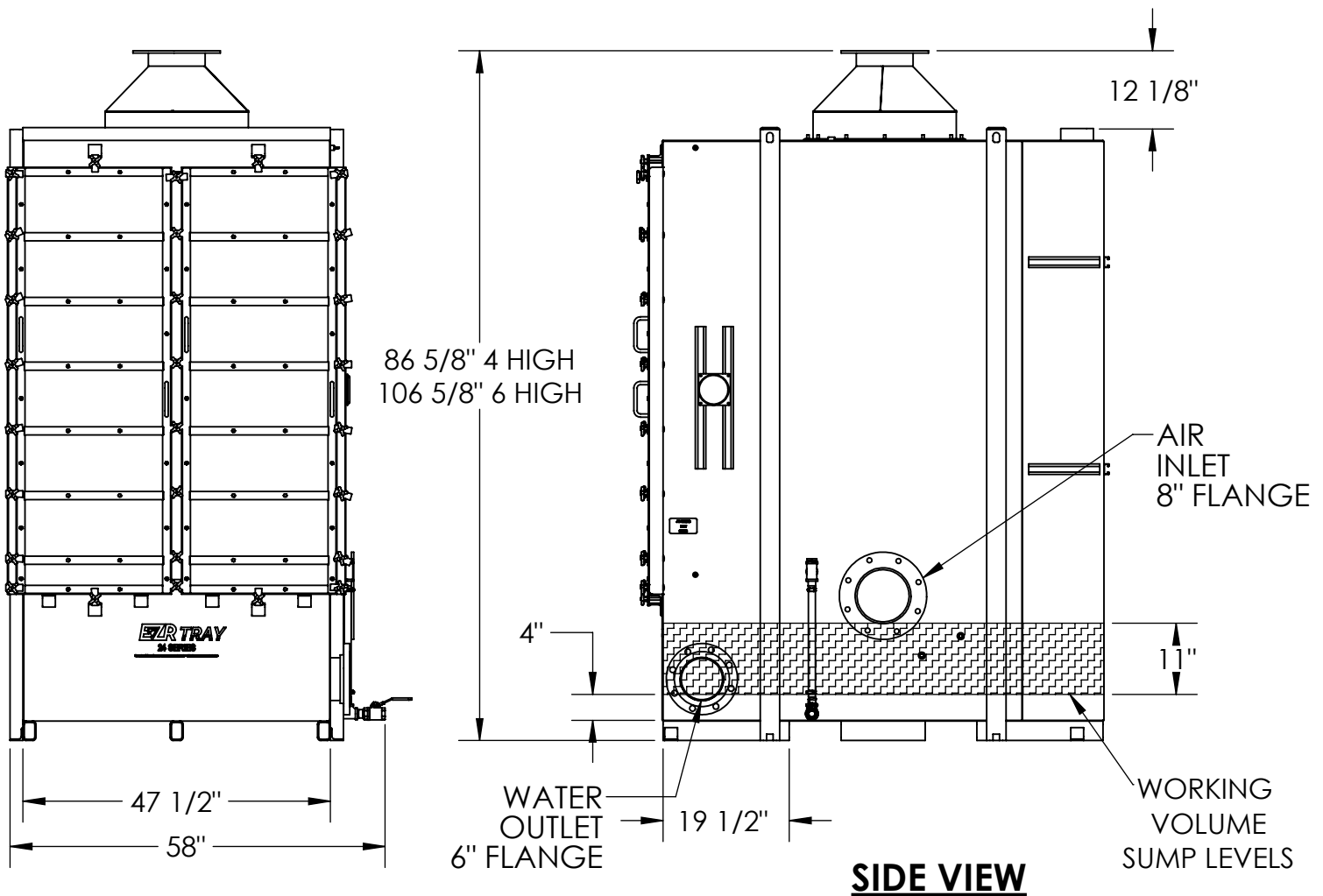
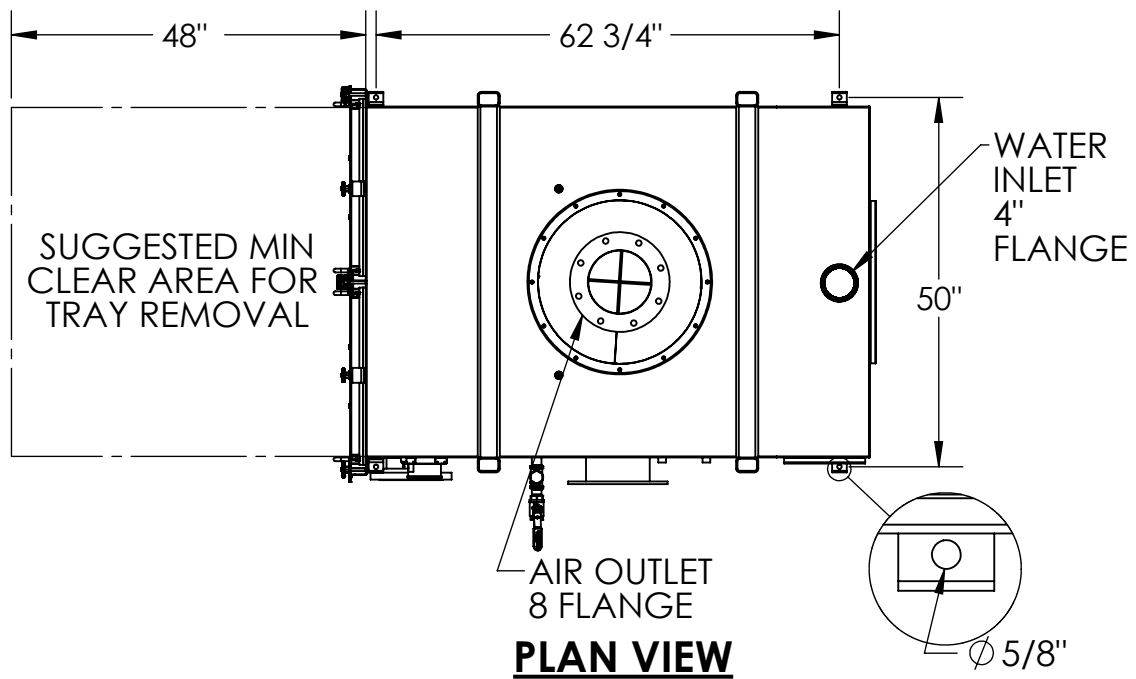


E-Z TRAY EZ-24HF

GENERAL SPECIFICATIONS

- Max. flow rate: 250 GPM
- Air flow: 850 CFM
- Sump working vol.: 211 GAL
- Materials of construction: 304SS , polycarbonate door, neoprene gaskets and polyester felt.



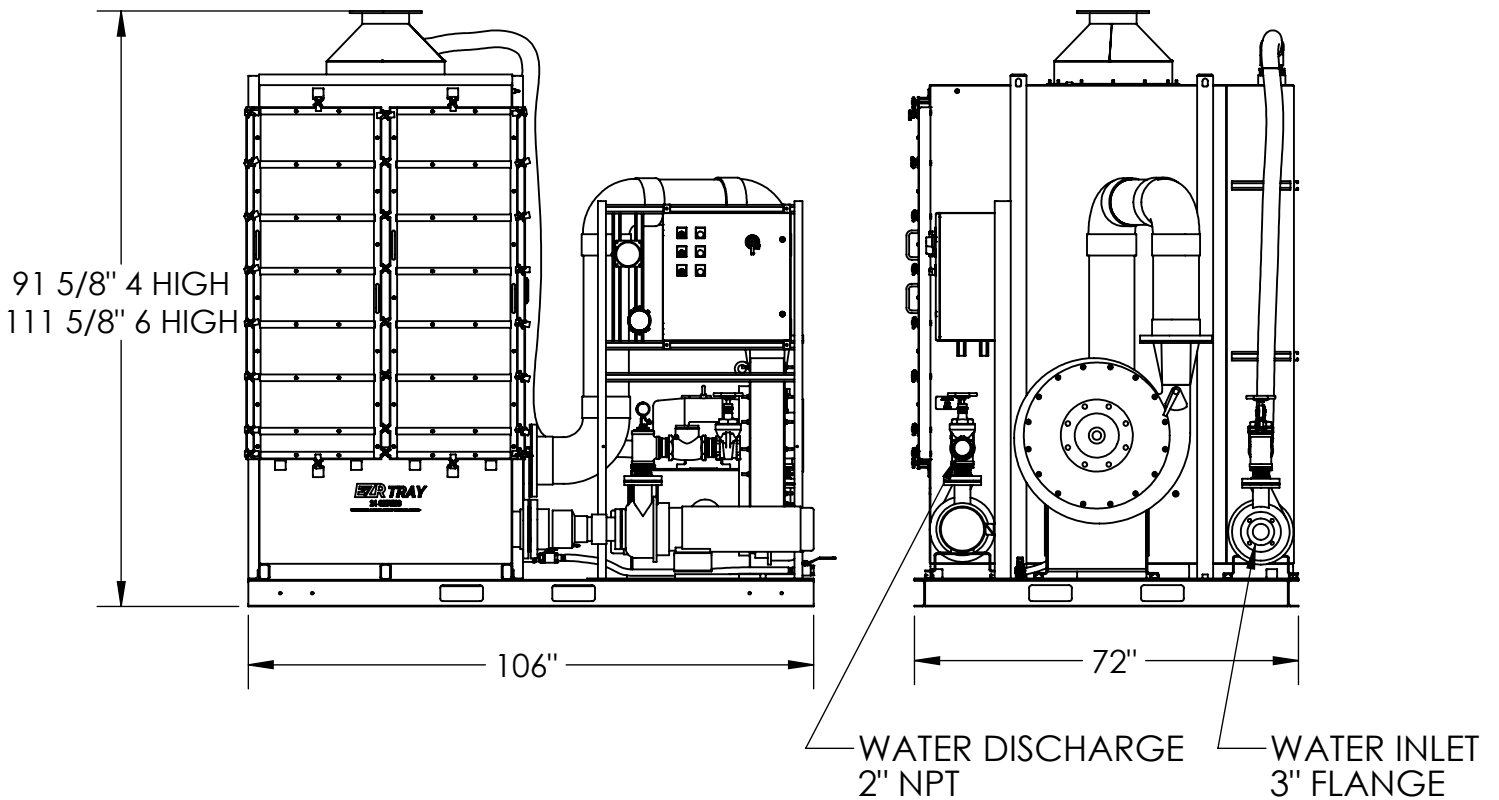
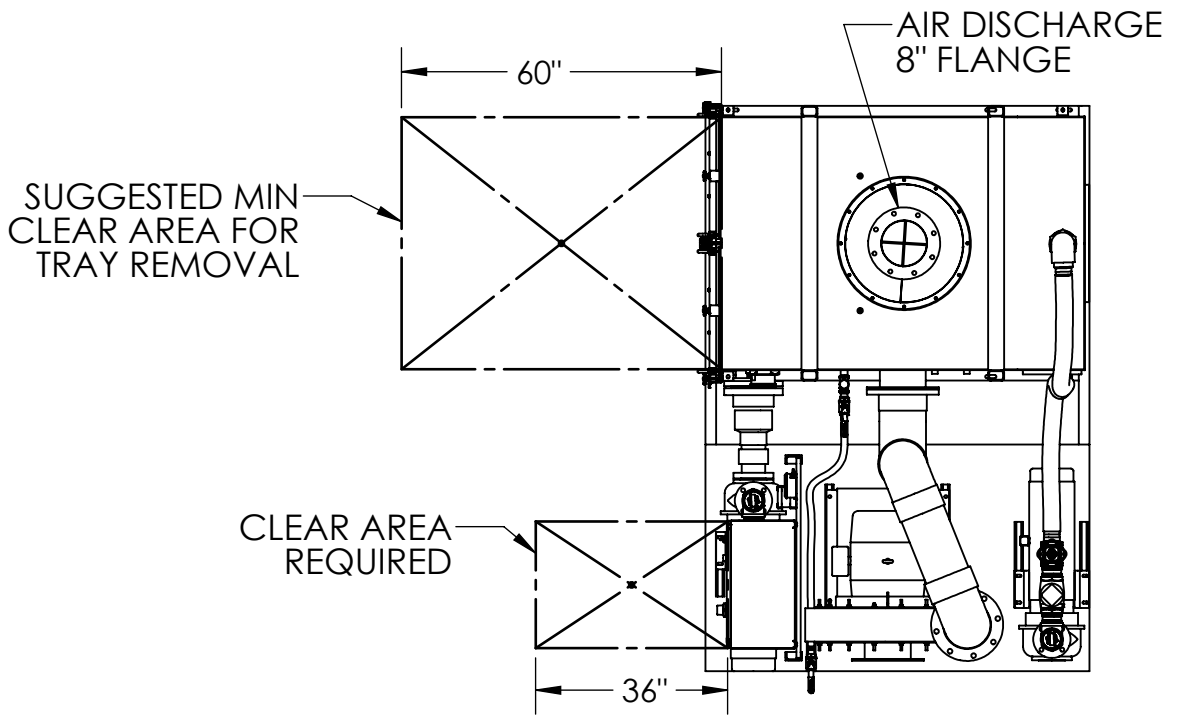
FRONT VIEW



EZ-24HF (AIR STRIPPER ONLY)
FOR MORE SPECIFICATIONS SCAN:

<http://www.gedenv.com>

NOT TO SCALE, NOT FOR CONSTRUCTION, FOR REFERENCE ONLY
LICENSED UNDER PATENT # 10,272,356 B2 AND MORE U.S. AND NON U.S. PATENTS.
THE ACTUAL UNIT MAY LOOK DIFFERENT THAN SHOWN IF 4 HIGH UNIT.



EZ-24HF (AIR STRIPPER SYSTEM)

NOT TO SCALE, NOT FOR CONSTRUCTION, FOR REFERENCE ONLY
 LICENSED UNDER PATENT # 10,272,356 B2 AND MORE U.S. AND NON U.S. PATENTS.
 THE ACTUAL UNIT MAY LOOK DIFFERENT THAN SHOWN IF 4 HIGH UNIT.