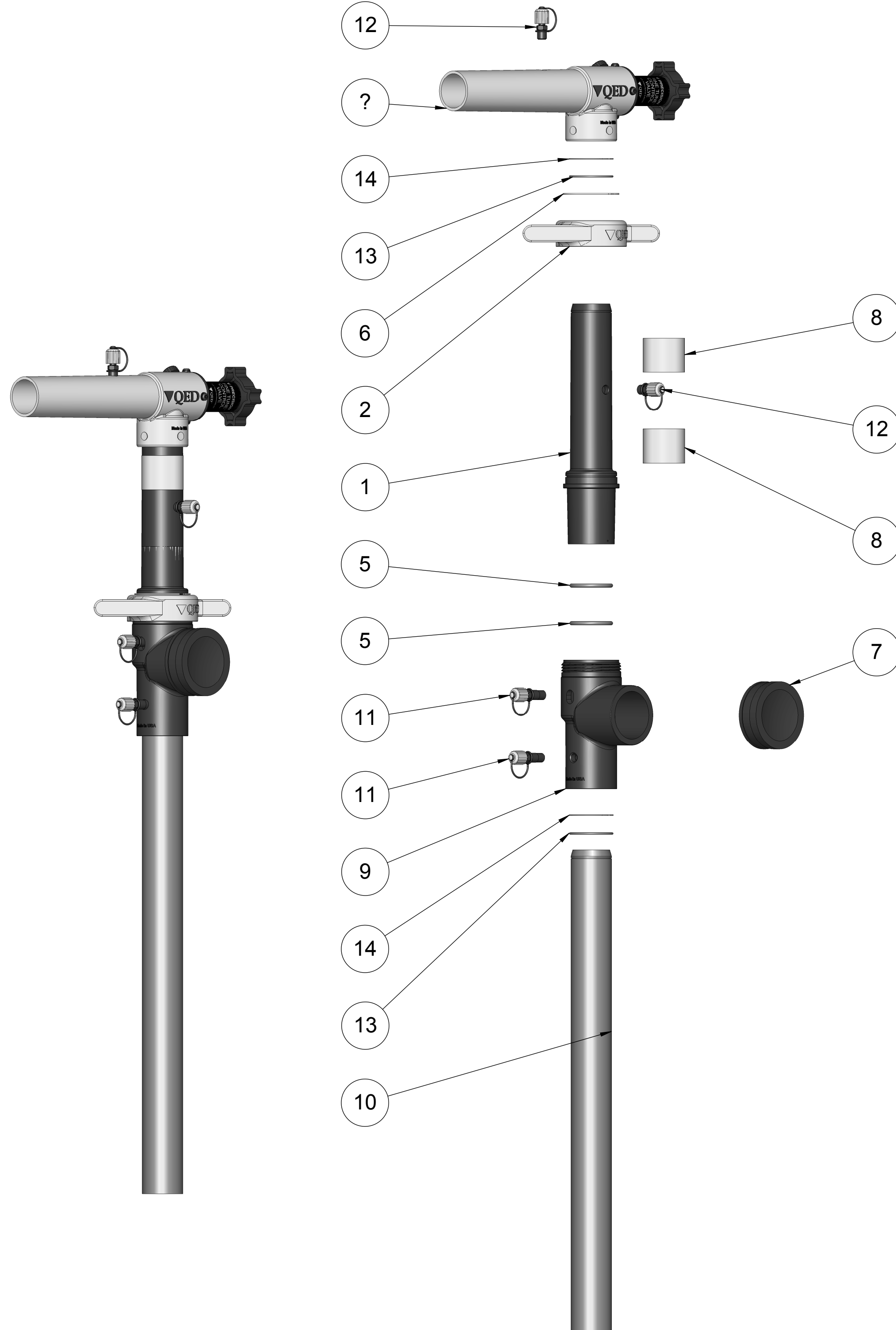


THE INFORMATION CONTAINED IN THIS DRAWING IS THE SOLE PROPERTY OF Q.E.D. ENVIRONMENTAL ANY REPRODUCTION IN PART OR WHOLE WITHOUT THE WRITTEN PERMISSION OF Q.E.D. ENVIRONMENTAL IS PROHIBITED.


REVISIONS

REV.	DESCRIPTION	ECO #	DRAWN BY	CHECKED BY	DATE
-	RELEASE FOR PRODUCTION	3594	L.N.	D.C.	4-16-14



**ORP215
MOLDED WELLHEAD**

ITEM	PART #	DESCRIPTION	QTY.
1	40942	ADAPTER WITH UPPER PIPE 2" MOLDED	1
2	40699	NUT, UNION 2" WITH HANDLE	1
3	CV2000	CV2000 2-PIECE WITH EXTENSION SQUARE SHAFT SS	1
5	40585	O-RING 2-330	2
6	40945	RETAINING RING FLAT 3" SHAFT	1
7	40587	3" FERNCO CAP PVC	1
8	40682	DECAL REFLECTIVE ORP215	2
9	40941	TEE 2-1/2 WITH BUTTRESS THREAD MOLDED	1
10	41061	PIPE 2" SCH. 80 GF POLYPROPYLENE 28-1/4" LONG	1
11	41018	FITTING ASSEMBLY MOLDED LONG	2
12	41017	FITTING ASSEMBLY MOLDED SHORT	2
13	41062	O-RING 2-142 EPDM	2
14	41063	RETAINER RING FOR 2-3/8" SHAFT S.S.	2

UNLESS OTHERWISE SPECIFIED, DIMENSIONS ARE IN INCHES AND INCLUDE PLATING REMOVE ALL BURRS	DRAWN BY L.N.	DATE 4-16-14	 <p>QED Environmental Systems 2355 BISHOP CIRCLE W, DEXTER, MI. 48130</p>	
	CHECKED BY D.C.	DATE 4-16-14		
TOLERANCES XX +/- .01 FRACT +/- 1/64 XXX +/- .005 ANGLES +/- 1/2 OTHER TOLERANCES AS SPECIFIED	APPROVED BY D.C.	DATE 4-16-14		TITLE ORP215 MOLDED WELLHEAD
NEXT ASSY - USED ON -	MATERIAL - FINISH -	DWG. NO. ORP215 MOLDED		REV. - SCALE 1:12 SHEET 1 OF 1