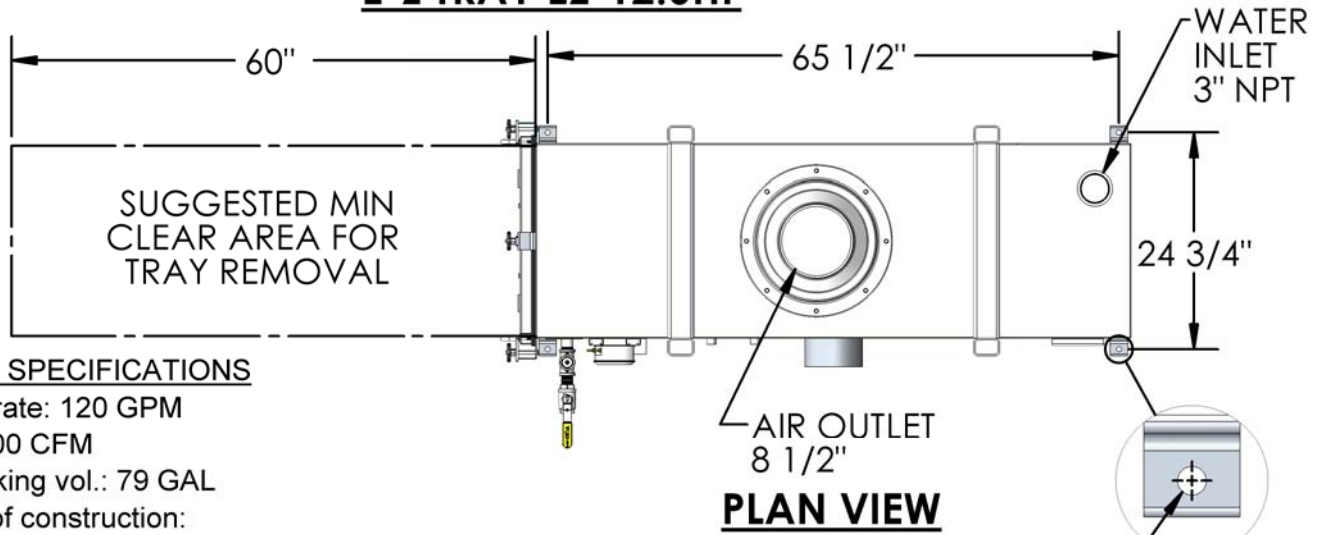
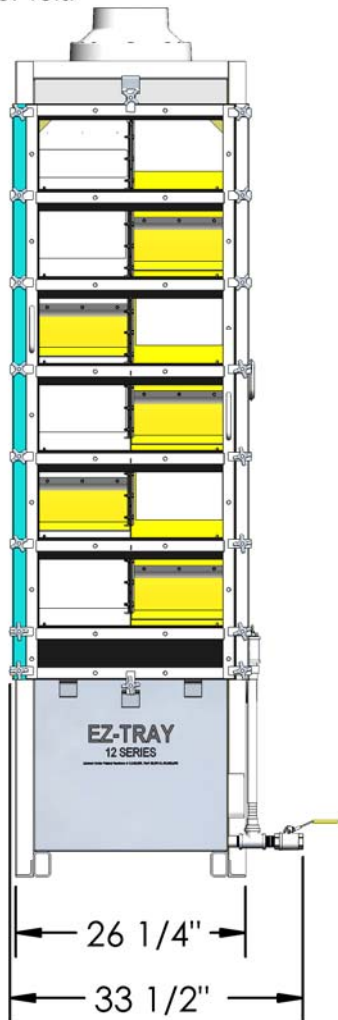


E-Z TRAY EZ-12.6HF

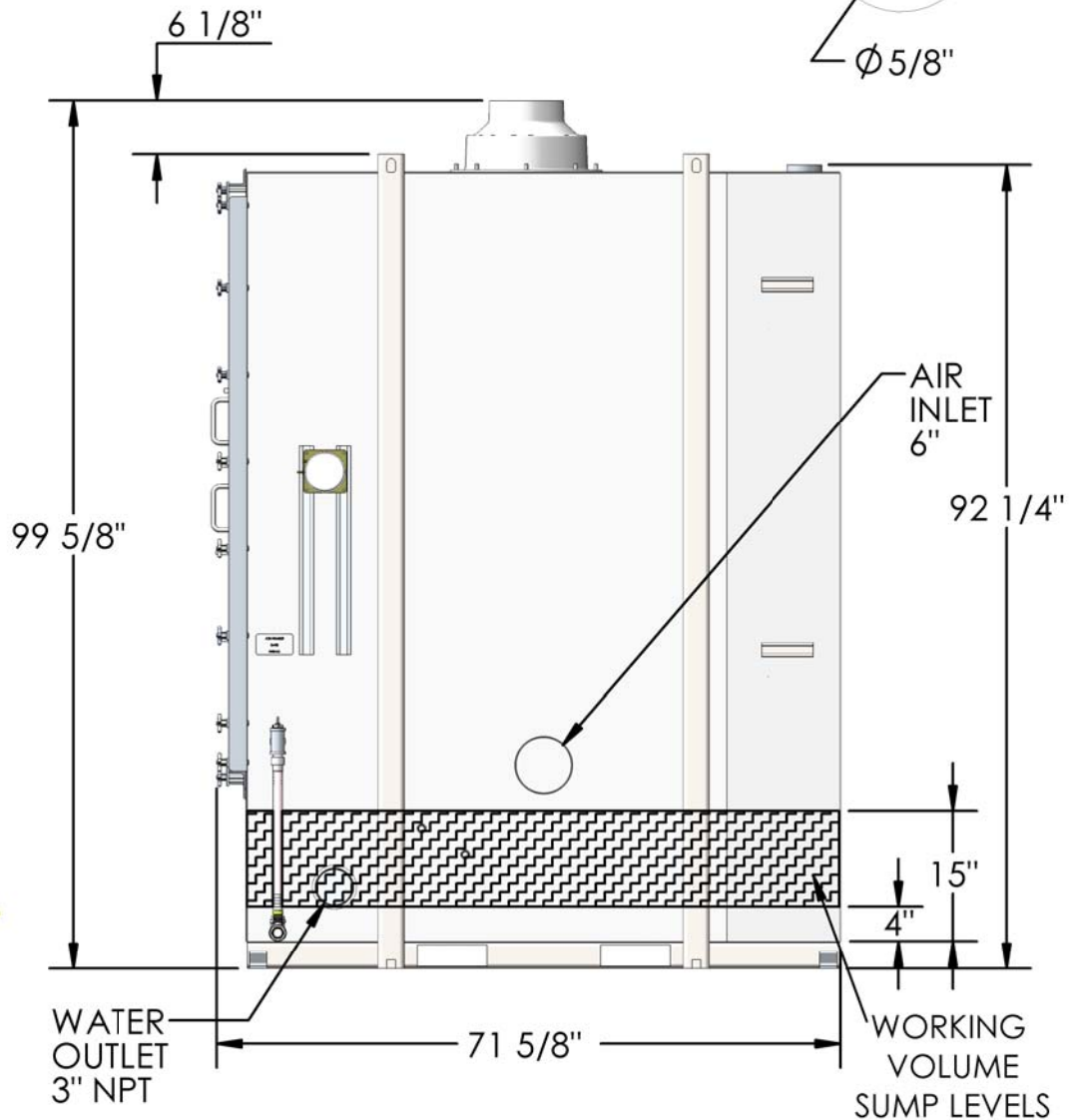


GENERAL SPECIFICATIONS

- Max. flow rate: 120 GPM
- Air flow: 600 CFM
- Sump working vol.: 79 GAL
- Materials of construction: 304SS, polycarbonate door, neoprene gaskets and polyester felt.



FRONT VIEW



SIDE VIEW



EZ-12.6HF (AIR STRIPPER ONLY)

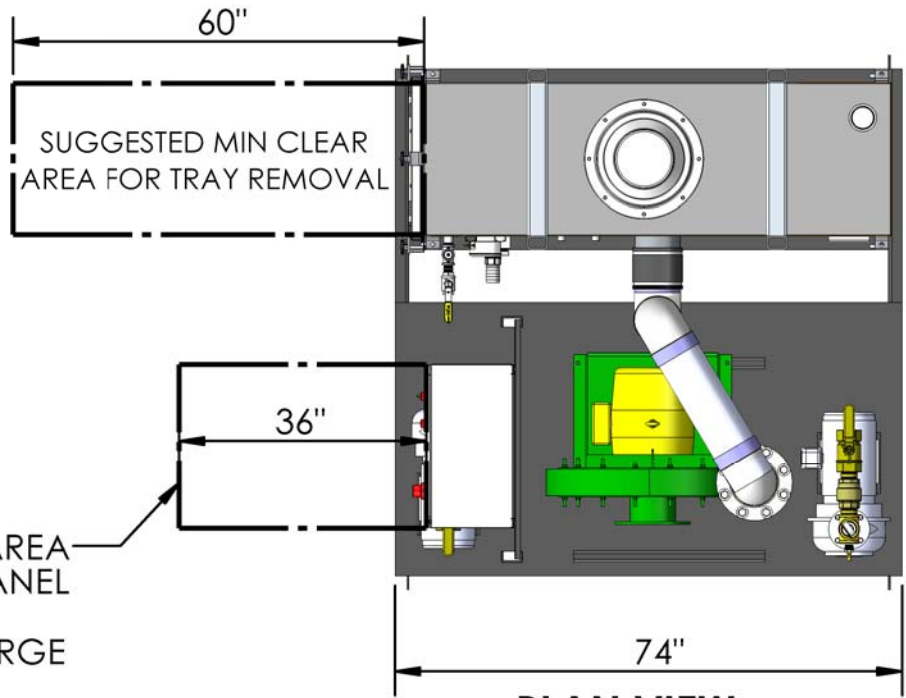
FOR MORE SPECIFICATIONS SCAN:

<http://www.qedenv.com>

NOT TO SCALE, NOT FOR CONSTRUCTION, FOR REFERENCE ONLY
LICENSED UNDER PATENT # 10,272,356 B2 AND
MORE U.S. AND NON U.S. PATENTS.

GENERAL SPECIFICATIONS

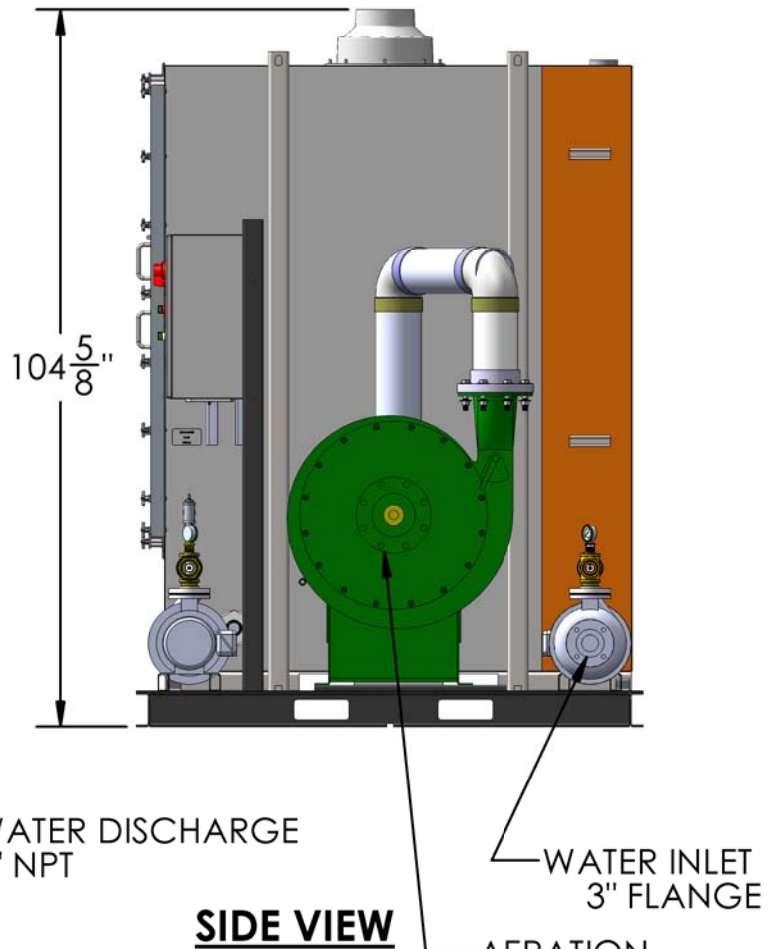
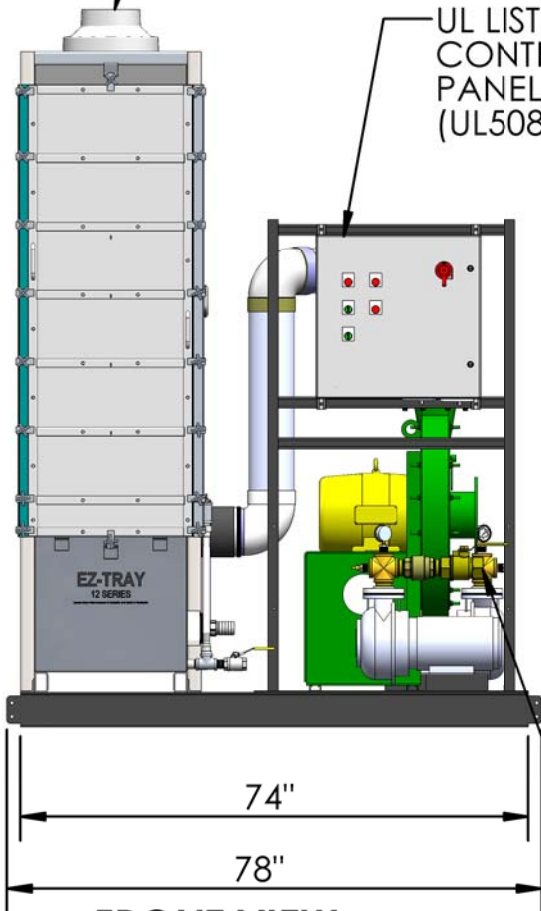
- Max. flow rate: 120 GPM
- Air flow: 600 CFM
- Sump working vol.: 79 GAL
- Materials of construction: 304SS , polycarbonate door, neoprene gaskets and polyester felt.



MIN CLEAR AREA IN FRONT OF PANEL

AIR DISCHARGE
8.625 O.D.

UL LISTED
CONTROL
PANEL
(UL508A)



EZ-12.6HF (AIR STRIPPER ONLY)

FOR MORE SPECIFICATIONS SCAN:

<http://www.qedenv.com>

NOT TO SCALE, NOT FOR CONSTRUCTION, FOR REFERENCE ONLY
LICENSED UNDER PATENT # 10,272,356 B2 AND
MORE U.S. AND NON U.S. PATENTS.