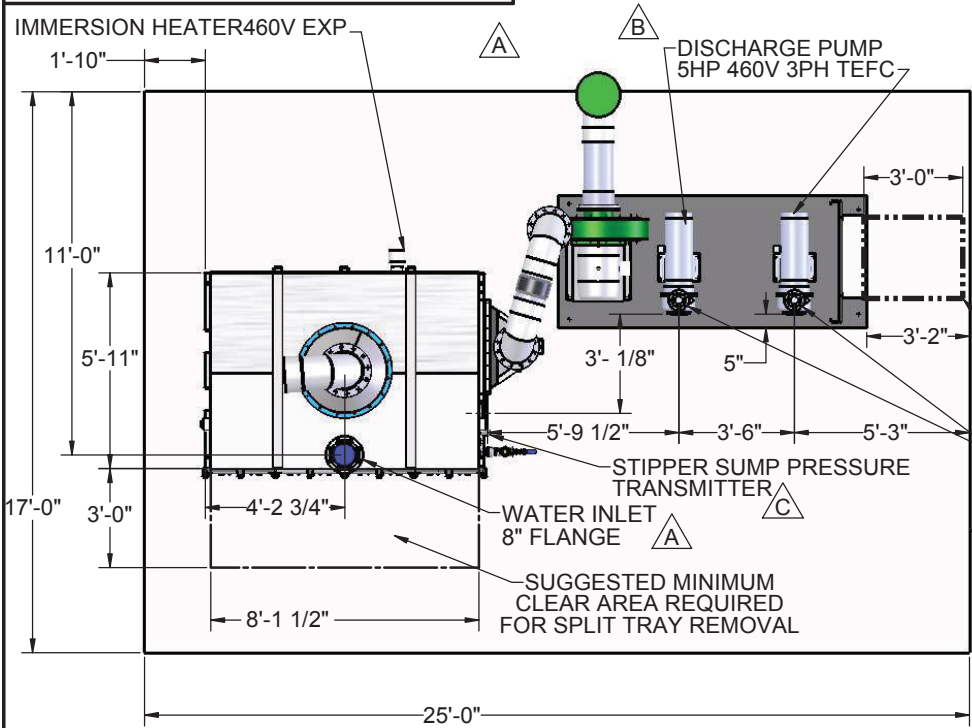


THE INFORMATION CONTAINED IN THIS DRAWING IS THE SOLE PROPERTY OF Q.E.D. ENVIRONMENTAL. ANY REPRODUCTION IN PART OR WHOLE WITHOUT THE WRITTEN PERMISSION OF Q.E.D. ENVIRONMENTAL IS PROHIBITED.

REVISIONS

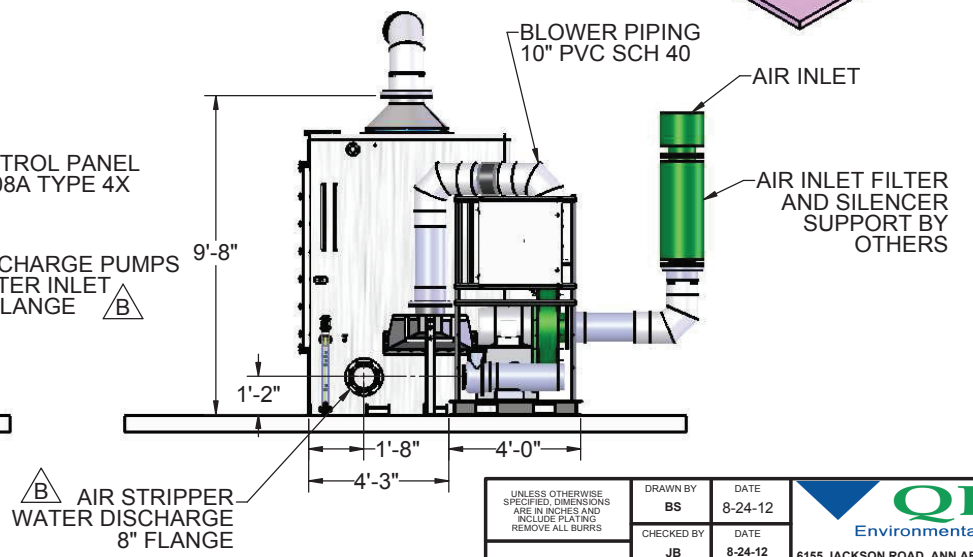
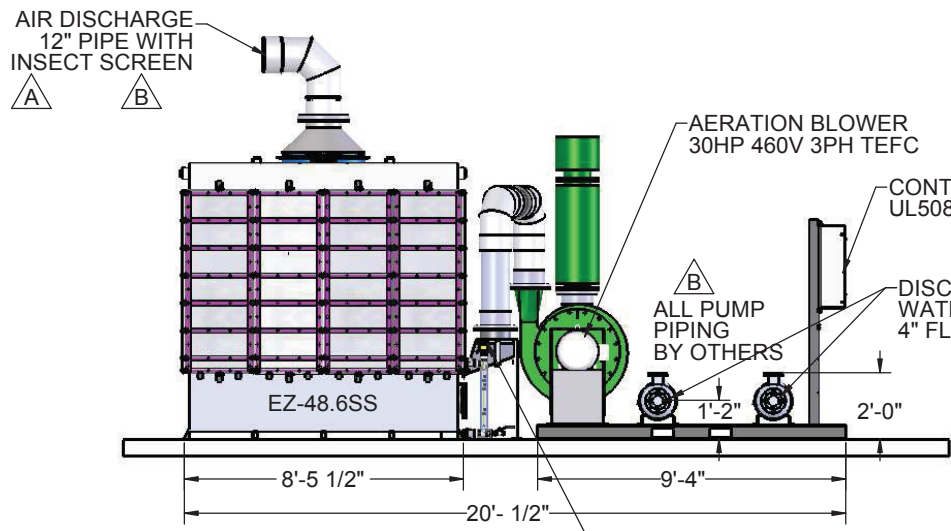
REV.	DESCRIPTION	ECO #	DRAWN BY	CHECKED BY	DATE
-	RELEASED FOR APPROVAL		BS	JB	8-24-12
A	ADDED AIR INLET FILTER AND SILENCER, ADDED IMMERSION HEATER, ADDED WEATHER HOOD. PAD SHOWN PER DRAWING 18.		BS	JB	10/23/2012
B	DISCHARGE PUMPS WERE 20HP. LABELED WATER CONNECTIONS, ADDED BIRD SCREEN NOTE ON AIR DISCHARGE.		BS	JB	12/21/2012
C	ADDED SUMP PRESSURE TRANSMITTER, ADDED SIGHT TUBE LEVEL SWITCHES.		BS	JB	1/9/2013



CLEAR AREA REQUIRED IN FRONT OF PANEL

DISCHARGE PUMPS WATER DISCHARGE 3" FLANGE **B**


AIR STRIPPER PAD PER DRAWING 18 **A**



**NOT FOR CONSTRUCTION
REFERENCE ONLY**

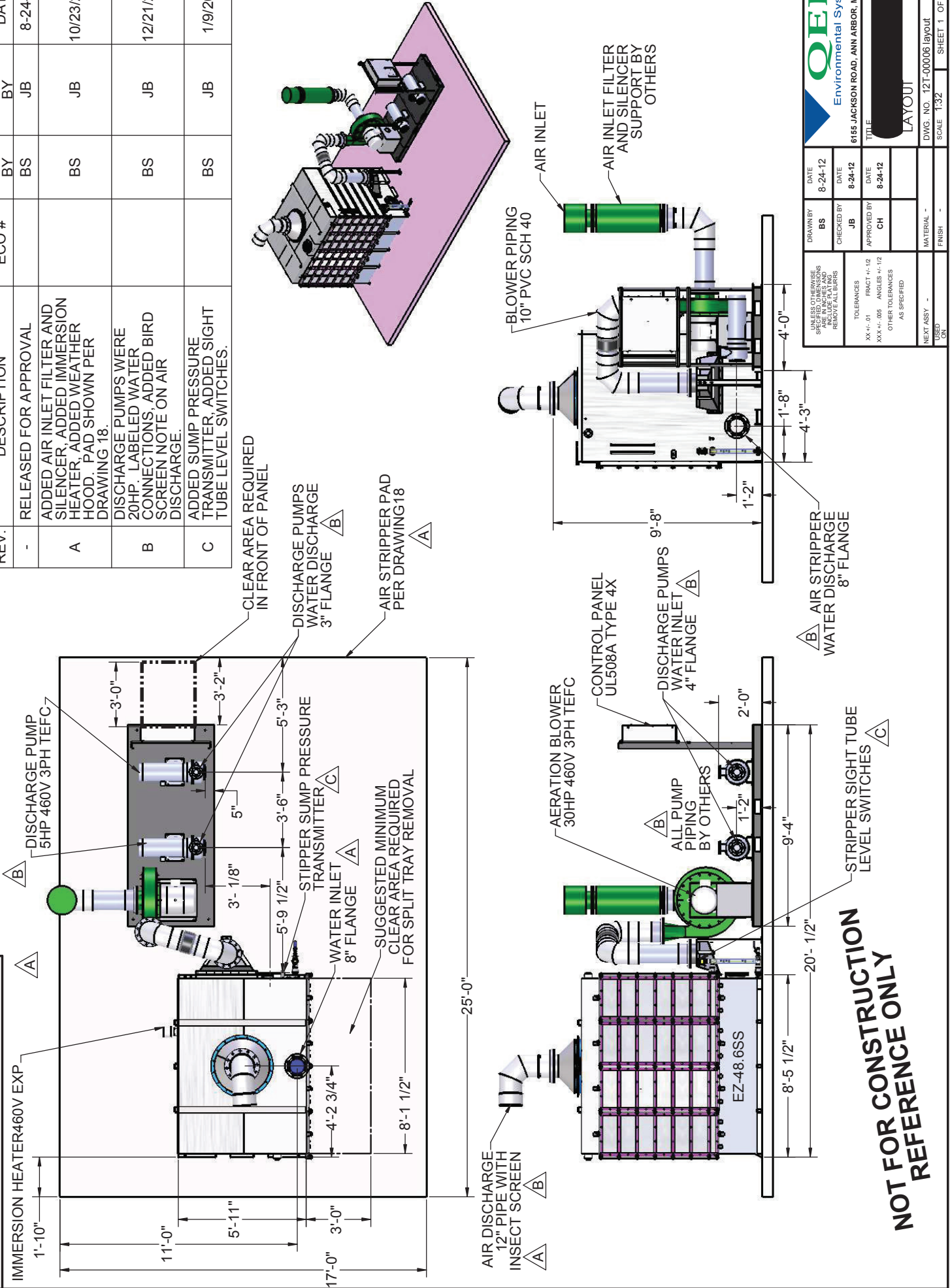
STRIPPER SIGHT TUBE LEVEL SWITCHES **C**

B AIR STRIPPER WATER DISCHARGE 8" FLANGE

UNLESS OTHERWISE SPECIFIED DIMENSIONS ARE IN INCHES AND INCLUDE PLATING REMOVE ALL BURRS	DRAWN BY	DATE	 6155 JACKSON ROAD, ANN ARBOR, MI. 48103
	CHECKED BY	DATE	
	APPROVED BY	DATE	
TOLERANCES			TITLE
XX +/- .01 FRACT +/- 1/2			LAYOUT
XXX +/- .005 ANGLES +/- 1/2			
OTHER TOLERANCES AS SPECIFIED			
NEXT ASSY -	MATERIAL -	DWG. NO. 12T-00006 layout	REV. C
USED ON	FINISH -	SCALE 1:32	SHEET 1 OF 1

THE INFORMATION CONTAINED IN THIS DRAWING IS THE SOLE PROPERTY OF Q.E.D. ENVIRONMENTAL. ANY REPRODUCTION IN PART OR WHOLE WITHOUT THE WRITTEN PERMISSION OF Q.E.D. ENVIRONMENTAL IS PROHIBITED.

REVISIONS					
REV.	DESCRIPTION	ECO #	DRAWN BY	CHECKED BY	DATE
-	RELEASED FOR APPROVAL		BS	JB	8-24-12
A	ADDED AIR INLET FILTER AND SILENCER, ADDED IMMERSION HEATER, ADDED WEATHER HOOD, PAD SHOWN PER DRAWING 18.		BS	JB	10/23/2012
B	DISCHARGE PUMPS WERE 20HP, LABELED WATER CONNECTIONS, ADDED BIRD SCREEN NOTE ON AIR DISCHARGE.		BS	JB	12/21/2012
C	ADDED SUMP PRESSURE TRANSMITTER, ADDED SIGHT TUBE LEVEL SWITCHES.		BS	JB	1/9/2013



QED Environmental Systems
 6155 JACKSON ROAD, ANN ARBOR, MI. 48103

DATE	8-24-12
DRAWN BY	BS
CHECKED BY	JB
DATE	8-24-12
APPROVED BY	CH
DATE	8-24-12
TOLERANCES	XX +/- .01 FRACT +/- .12 XXX +/- .005 ANGLES +/- .12 OTHER TOLERANCES AS SPECIFIED
NEXT ASSY USED	
MATERIAL	
FINISH	
DWG. NO.	12T-00006 layout
SCALE	1:32
REV. C	
SHEET	1 OF 1

TITLE: **LAYOUT**

**NOT FOR CONSTRUCTION
 REFERENCE ONLY**