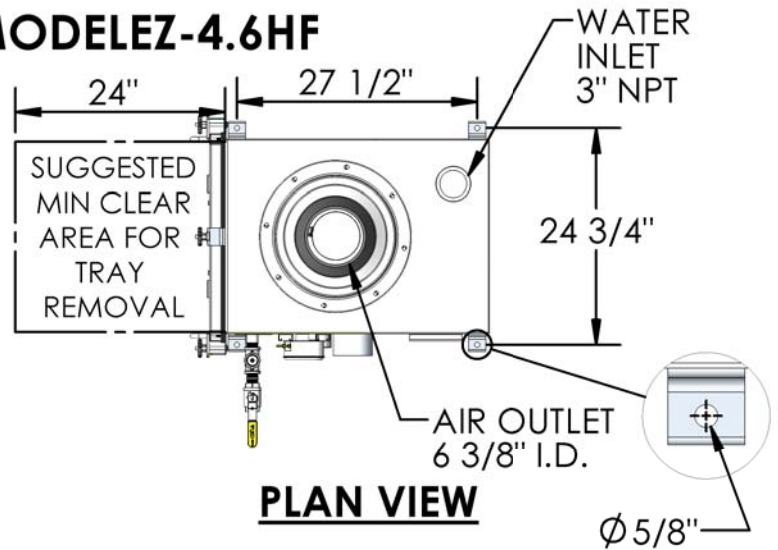


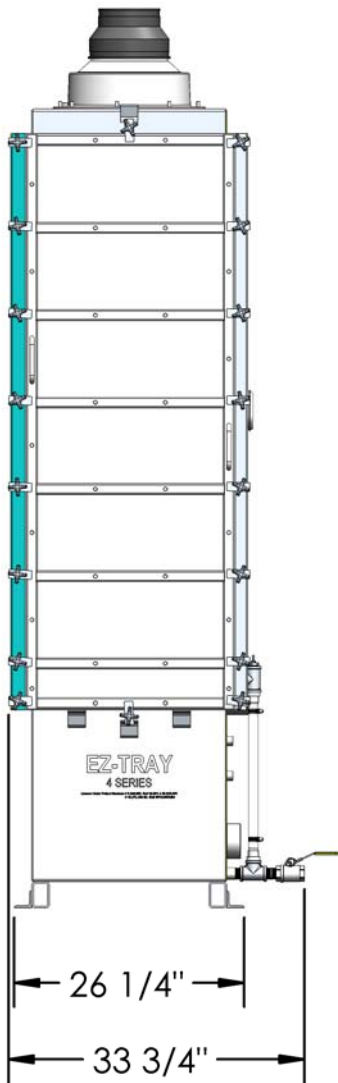
E-Z TRAY MODELEZ-4.6HF

GENERAL SPECIFICATIONS

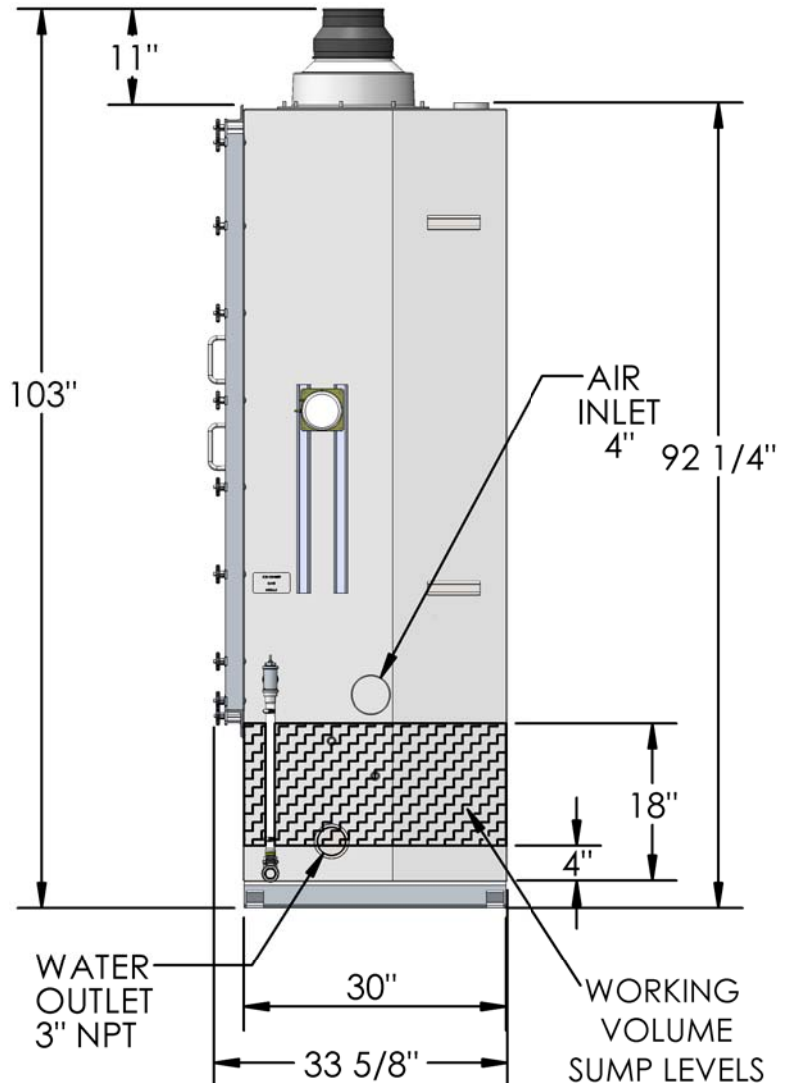
- Max. flow rate: 120 GPM
- Air flow: 210 CFM
- Sump working vol.: 35 GAL
- Materials of construction: 304SS , polycarbonate door, neoprene gaskets and polyester felt.



PLAN VIEW



FRONT VIEW



SIDE VIEW



EZ-4.6HF (AIR STRIPPER ONLY)

FOR MORE SPECIFICATION SCAN:

[HTTP://qedenv.com](http://qedenv.com)

NOT TO SCALE, NOT FOR CONSTRUCTION, FOR REFERENCE ONLY
 LICENSED UNDER PATENT # 10,272,356 B2 AND
 MORE U.S. AND NON U.S. PATENTS.

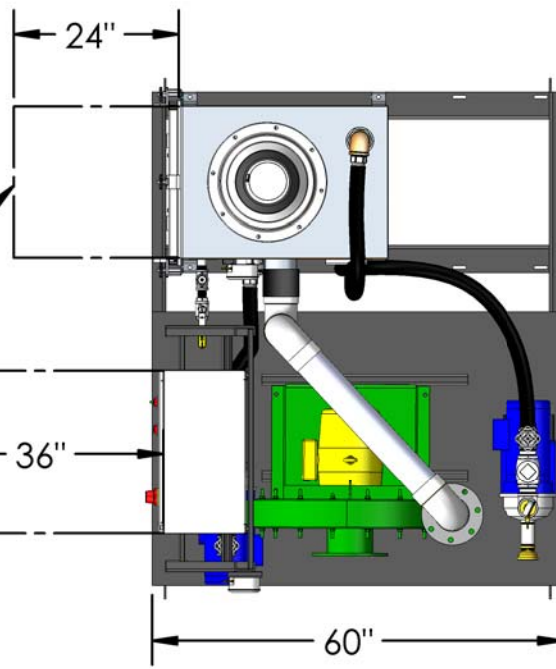
GENERAL SPECIFICATIONS

- Max. flow rate: 120 GPM
- Air flow: 210 CFM
- Sump working vol.: 35 GAL
- Materials of construction: 304SS , polycarbonate door, neoprene gaskets and polyester felt.

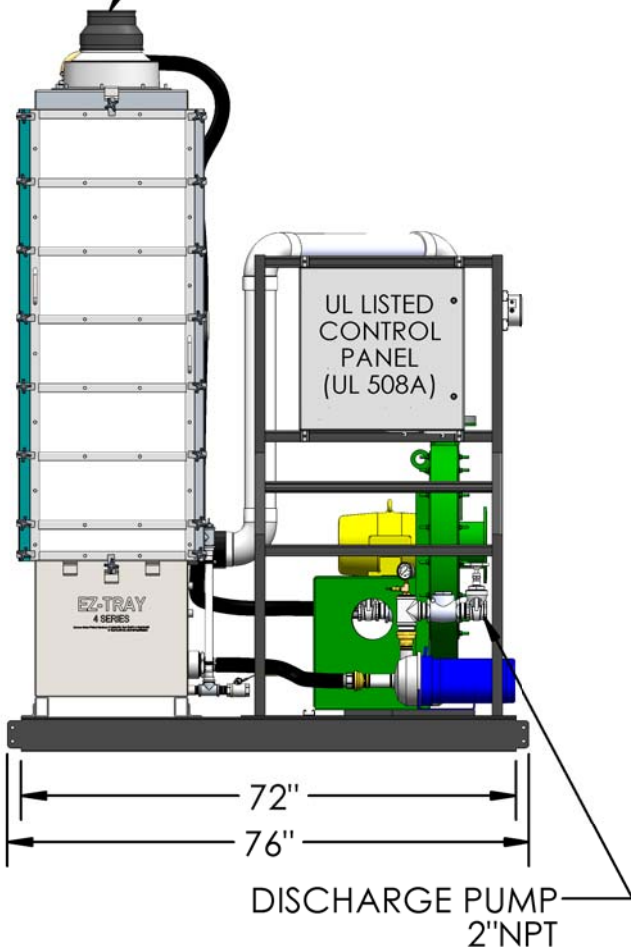
SUGGESTED MIN CLEAR AREA FOR TRAY REMOVAL

MIN CLEAR AREA IN FRONT OF PANEL

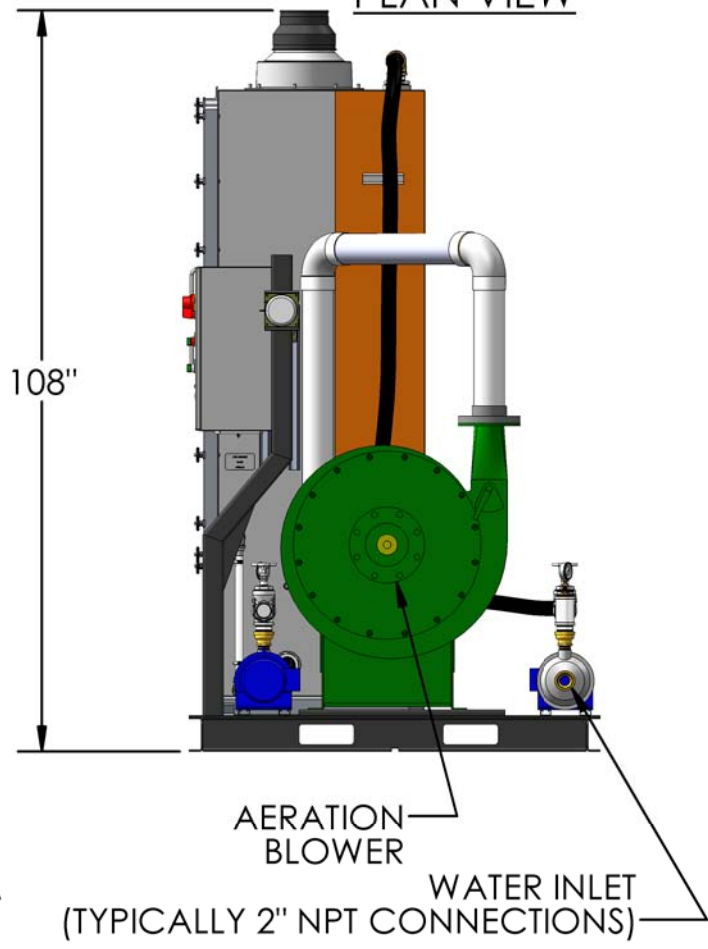
AIR DISCHARGE 6.625 O.D.



PLAN VIEW



FRONT VIEW



SIDE VIEW



EXAMPLE OF A SKID SYSTEM WITH CONTROL PANEL, PUMPS, AND BLOWER CONTACT QED FOR INFORMATION ON ALL OPTIONS.

NOT TO SCALE, NOT FOR CONSTRUCTION, FOR REFERENCE ONLY
 LICENSED UNDER PATENT # 10,272,356 B2 AND MORE U.S. AND NON U.S. PATENTS.